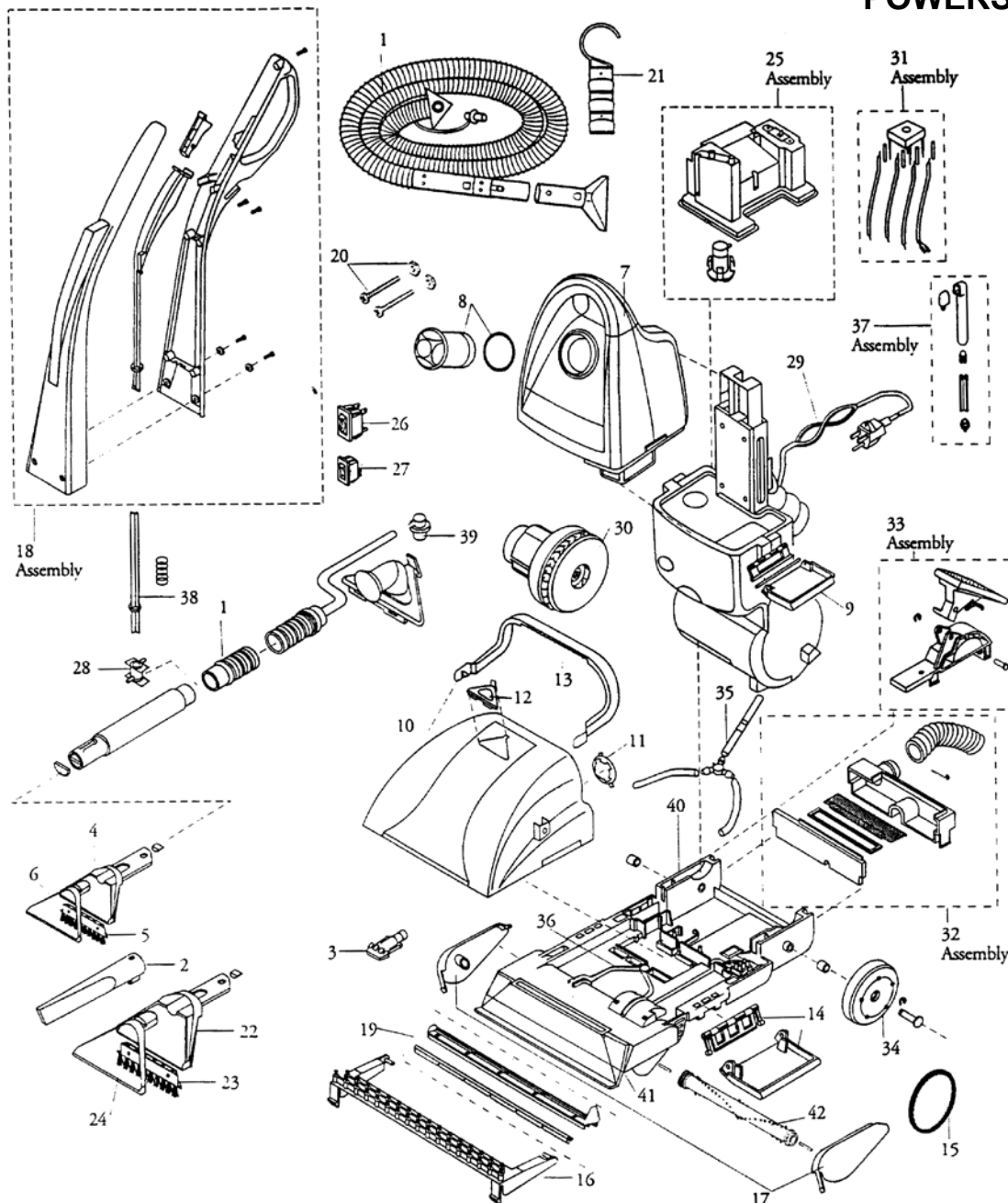


## POWERSTEAMER



- |                         |  |                         |                                      |                         |                           |
|-------------------------|--|-------------------------|--------------------------------------|-------------------------|---------------------------|
| 1..... N/A .....        | Upholstery Attachment Assy, w/ 4" tool, w/o clip | 13..... BI-0134431..... | Carrying Handle                      | 28..... BI-2038456..... | Valve Assy                |
| 2..... BI-2109148.....  | Crevice Tool                                     | 14..... NLA .....       | Latch Assy, dirty tank, single       | 29..... N/A .....       | Power Cord                |
| 3..... BI-2036110.....  | Spray Tips                                       | 15..... N/A .....       | Timing Belt                          | 30..... N/A .....       | Motor Assy                |
| 4..... BI-2109213.....  | Upholstery Tool Assy, 4"                         | 16..... NLA .....       | Brush Strip, 1691                    | 31..... BI-2037739..... | Diode & Wire Assy, brush  |
| 5..... BI-2030966.....  | Removable Brush, 4" red                          | 17..... N/A .....       | Pivot Arm Assy, (2 retainers/screws) | 32..... N/A .....       | Air Box & Hose Assy       |
| 6..... NLA .....        | Window, 4" upholstery brush                      | 18..... BI-0100113..... | Handle, granite                      | 33..... NLA .....       | Detent Lever Assy         |
| 7..... NLA .....        | Tank, clean water                                | 19..... NLA .....       | Bare Floor Attachment Assy           | 34..... BI-6039750..... | Wheel Assy                |
| 8..... N/A .....        | Cap, clean water solution measure                | 20..... BI-2037075..... | Bolts & Nuts (2 sets)                | 35..... NLA .....       | Drain Tube                |
| 9..... N/A .....        | Latch Assy, clean tank, single                   | 21..... BI-6034650..... | Hanger                               | 36..... BI-6038470..... | Spray Tips & Tube Assy    |
| 10..... NLA .....       | Tank, dirty water, translucent blue              | 22..... NLA .....       | Upholstery/Carpet Tool, 6"           | 37..... N/A .....       | Breather Valve Assy       |
| 10..... BI-0100112..... | Tank, dirty water, translucent green             | 23..... BI-6030911..... | Removable Brush, 6"                  | 38..... BI-2137510..... | Push Rod, lower           |
| 11..... N/A .....       | Drain Cap  | 24..... NLA .....       | Window, upholstery/carpet tool       | 39..... NLA .....       | Solution Tube Connector   |
| 12..... NLA .....       | Triangular Cap                                   | 25..... NLA .....       | Pump Assy                            | 40..... NLA .....       | Base Assy, w/ brush motor |
|                         |  | 26..... N/A .....       | 3 Position Switch                    | 41..... N/A .....       | Nozzle Assy               |
|                         |  | 27..... N/A .....       | 2 Position Switch                    | 42..... NLA .....       | Brush Roll, 1696          |
|                         |  |                         |                                      | NLA.....                | Handle Repair Kit         |