

AMETEK / LAMB MOTORS

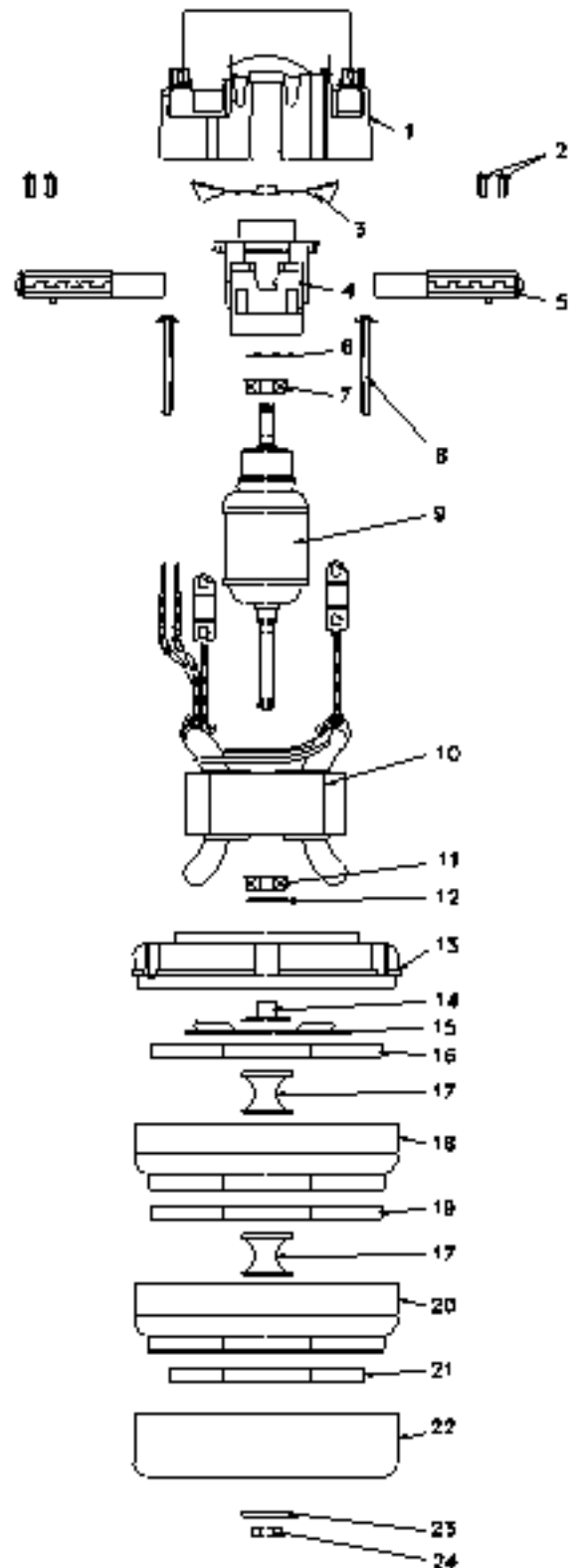
Motor Schematics

Model: 11951713

5.7" Diameter, 24 volt, 3-stage, by-pass, ball/ball, peripheral discharge, air seal & epoxy, G2K

- 1 L-8037214 Housing
- 2 L-607954 Screw
- 3 L-039561 Fan
- 4 L-3069205 Comm End Bracket
- 5 L-334901 Brush Mechanism
- 6 L-103543 Load Spring
- 7 L-7076132 ball Bearing
- 8 L-6079776 Screw
- 9 L-21651400 Armature
- 10 L-31943300 Field
- 11 L-7076192 Ball Bearing
- 12 L-102480 Neoprene Washer
- 13 L-459301 Fan End Bracket
- 14 L-302942 Spacer
- 15 L-039391 Fan
- 16 L-311204 Rotating Fan
- 17 L-302943 Spacer
- 18 L-31257 Stationary Fan
- 19 L-31120 Rotating Fan
- 20 L-31373 Stationary Fan
- 21 L-31275 Rotating Fan
- 22 L-30374414 Fan Shell
- 23 L-402207 Washer
- 24 L-7491 Nut

Replacement of the armature or field requires the replacement of the brush mechanism.



Hesco stocks a full line of repair parts for every Ametek/Lamb motor. If you don't see a listing for a particular motor, ask your sales representative!