

# AMETEK / LAMB MOTORS

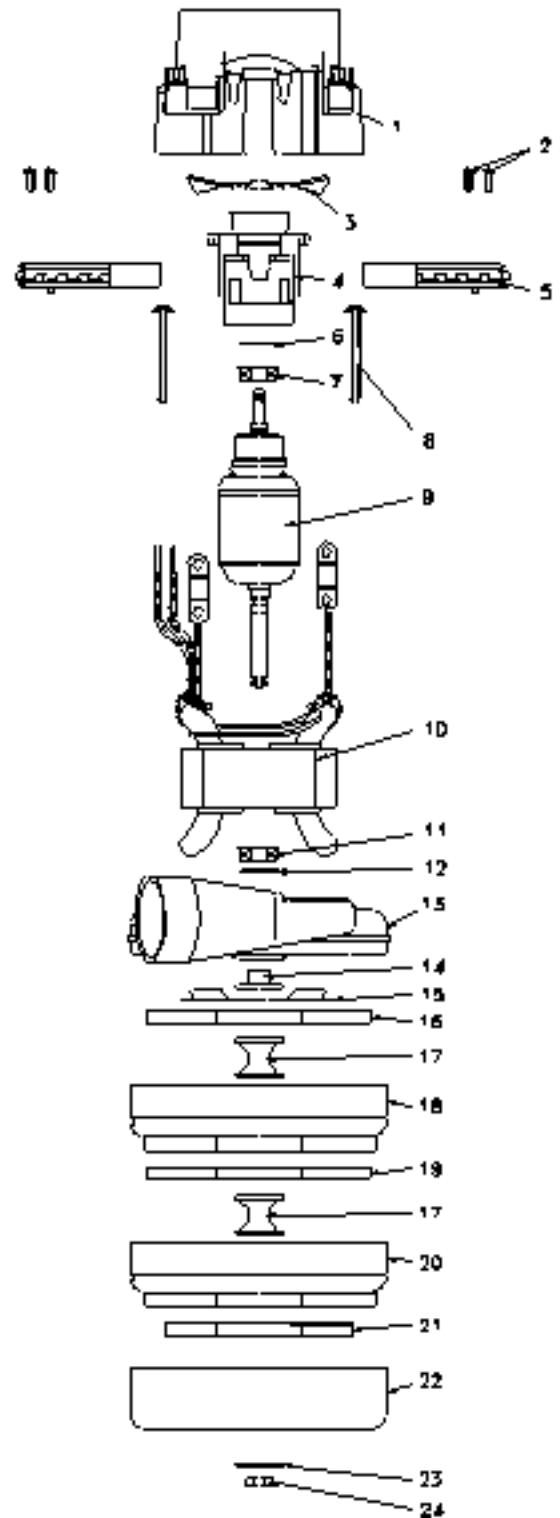
## Motor Schematics

Model: 11943313

5.7" Diameter, 24 volt, 3-stage, by-pass, ball/ball, tangential discharge, air seal & epoxy, G2K

1	.....	L-8037214	.....	Housing
2	.....	L-607954	.....	Screw
3	.....	L-039561	.....	Fan
4	.....	L-3069205	.....	Comm End Bracket
5	.....	L-334901	.....	Brush Mechanism
6	.....	L-103543	.....	Load Spring
7	.....	L-7076132	.....	ball Bearing
8	.....	L-6079776	.....	Screw
9	.....	L-21651400	.....	Armature
10	.....	L-31943300	.....	Field
11	.....	L-7076192	.....	Ball Bearing
12	.....	L-102480	.....	Neoprene Washer
13	.....	N/A	.....	Fan End Bracket
14	.....	L-2029641	.....	Spacer
15	.....	L-039391	.....	Fan
16	.....	L-311204	.....	Rotating Fan
17	.....	L-302943	.....	Spacer
18	.....	L-312781	.....	Stationary Fan
19	.....	L-31120	.....	Rotating Fan
20	.....	L-31373	.....	Stationary Fan
21	.....	L-31275	.....	Rotating Fan
22	.....	N/A	.....	Fan Shell
23	.....	L-202235	.....	Washer
24	.....	L-7491	.....	Nut

Replacement of the armature or field requires the replacement of the brush mechanism.



Hesco stocks a full line of repair parts for every Ametek/Lamb motor. If you don't see a listing for a particular motor, ask your sales representative!