

AMETEK / LAMB MOTORS

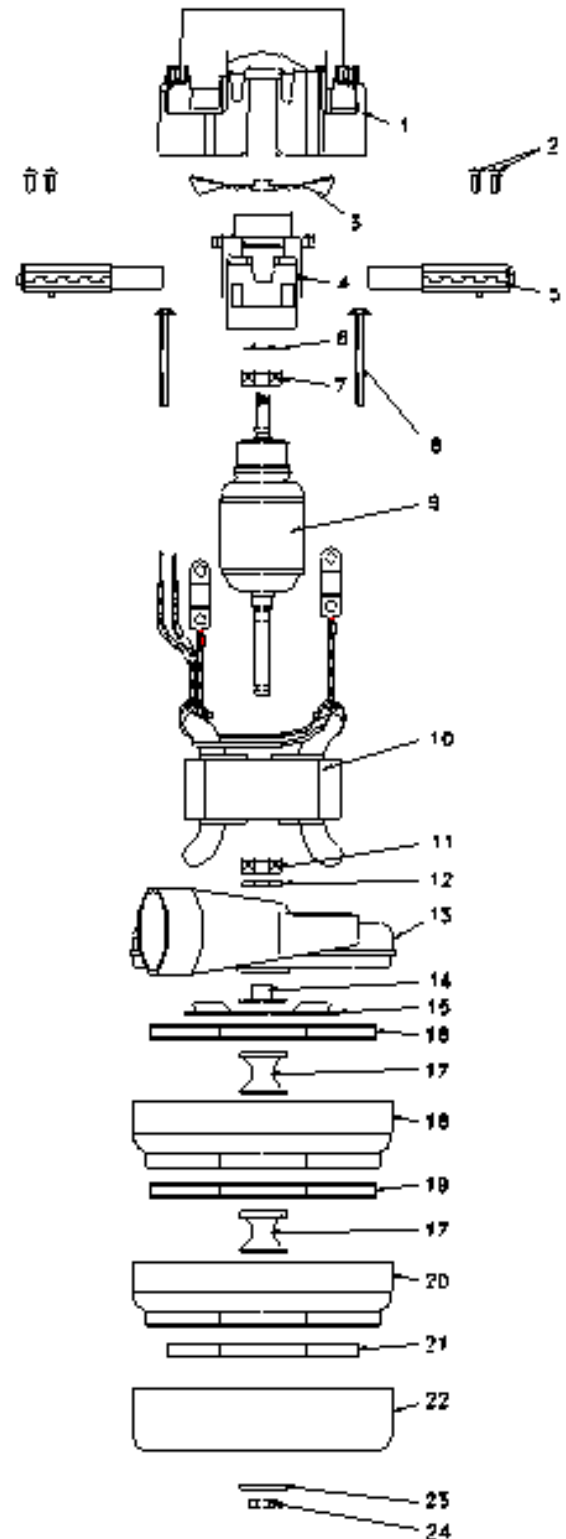
Motor Schematics

Model: 11943213

5.7" Diameter, 36 volt, 3-stage, by-pass, ball/ball, tangential discharge, air seal & epoxy, G2K

1	L-8037214	Housing
2	L-607954	Screw
3	L-039561	Fan
4	L-3069205	Comm End Bracket
5	L-33494	Brush Mechanism
6	L-103543	Load Spring
7	L-7076132	ball Bearing
8	L-6079776	Screw
9	L-21651301	Armature
10	L-31943200	Field
11	L-7076192	Ball Bearing
12	L-102480	Neoprene Washer
13	N/A	Fan End Bracket
14	L-302942	Spacer
15	L-039391	Fan
16	L-311204	Rotating Fan
17	L-302943	Spacer
18	L-31340	Stationary Fan
19	L-31120	Rotating Fan
20	L-31373	Stationary Fan
21	L-31120	Rotating Fan
22	N/A	Fan Shell
23	L-402207	Washer
24	L-7491	Nut

Replacement of the armature or field requires the replacement of the brush mechanism.



Hesco stocks a full line of repair parts for every Ametek/Lamb motor. If you don't see a listing for a particular motor, ask your sales representative!