

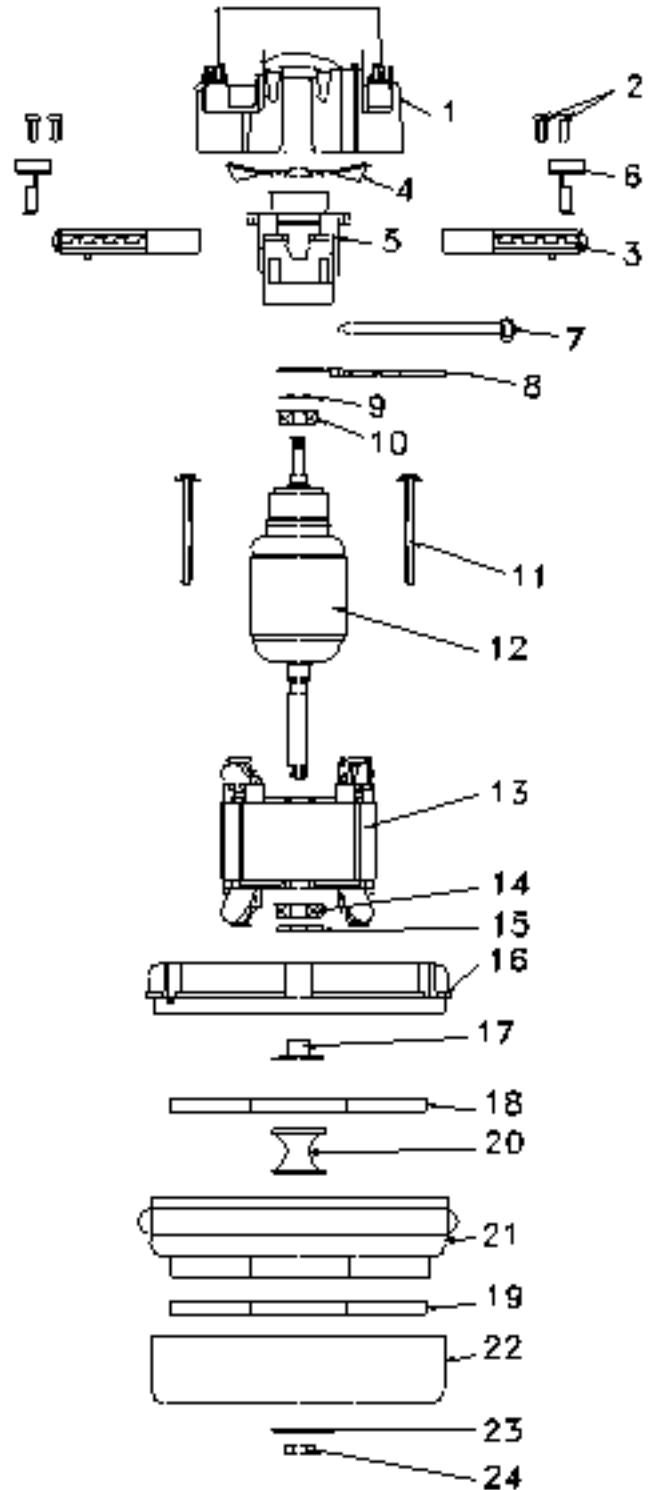
AMETEK / LAMB MOTORS

Motor Schematics

Model: 11941400

5.7" Diameter, 120 volt, 2-stage, by-pass, ball/ball, peripheral discharge, G2K

1	L-8037214	Housing
2	L-607954	Screw
3	L-33474	Brush Mechanism
4	L-039561	Fan
5	L-3069201	Comm End Bracket
6	L-305475	Clamp
7	L-105128	Cable Tie
8	L-39585	Lead & Terminal
9	L-103543	Load Spring
10	L-7076462	Ball Bearing
11	L-6079773	Screw
12	L-31633601	Armature
13	L-31941405	Field
14	L-7076132	Ball Bearing
15	N/A	Neoprene Washer
16	L-206882	Fan End Bracket
17	L-202970	Spacer
18	L-31120	Rotating Fan
19	L-31120	Rotating Fan
20	L-302943	Spacer
21	N/A	Stationary Fan
22	L-3037444	Fan Shell
23	L-302286	Washer
24	L-7491	Nut



Replacement of the armature or field requires the replacement of the brush mechanism.

Hesco stocks a full line of repair parts for every Ametek/Lamb motor. If you don't see a listing for a particular motor, ask your sales representative!