

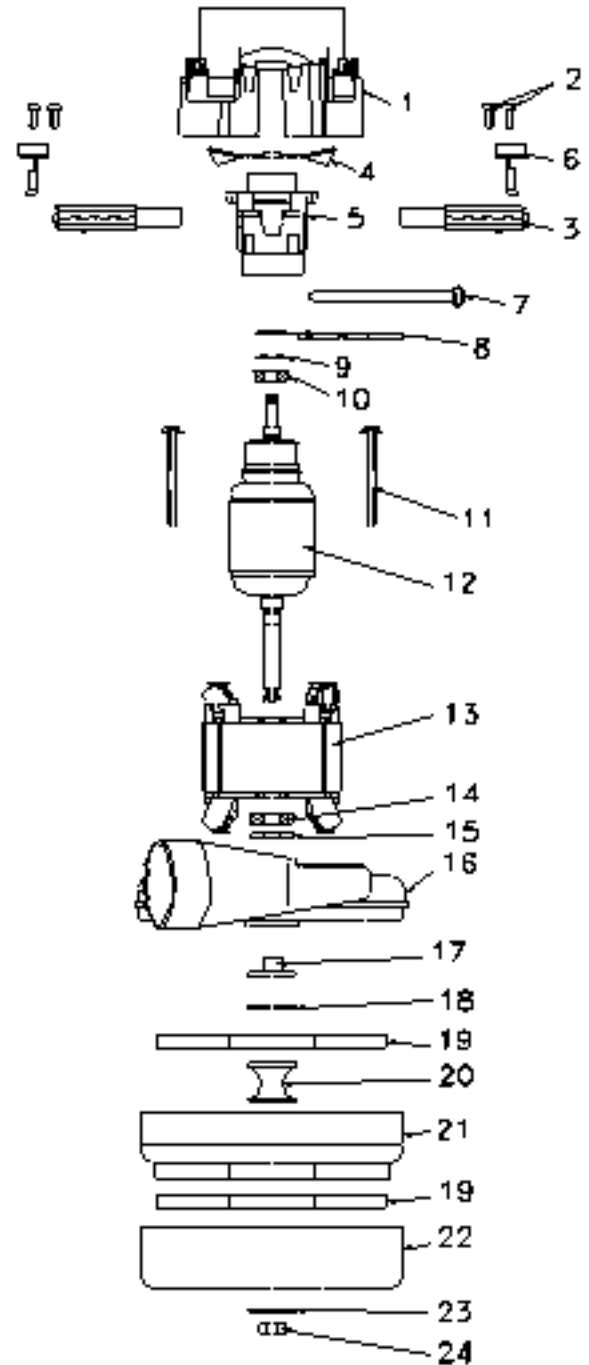
AMETEK / LAMB MOTORS

Motor Schematics

Model: 11941200

5.7" Diameter, 120 volt, 2-stage, tangential discharge, ball/ball, G2K

- 1 L-8037214 Housing
- 2 L-607954 Screw
- 3 L-33474 Brush Mechanism
- 4 L-039561 Fan
- 5 L-3069201 Comm End Bracket
- 6 L-305475 Clamp
- 7 L-105128 Cable Tie
- 8 L-39585 Lead & Terminal
- 9 L-103543 Load Spring
- 10 L-7076462 Ball Bearing
- 11 L-6079773 Screw
- 12 L-21625800 Armature
- 13 L-31941405 Field
- 14 L-7076132 Ball Bearing
- 15 L-102480 neoprene Washer
- 16 L-2068331 Fan End Bracket
- 17 L-302942 Spacer
- 18 L-302269 washer
- 19 L-31120 Rotating Fan
- 20 L-302943 Spacer
- 21 L-31278 Stationary Fan
- 22 L-6037274 Fan Shell
- 23 L-202235 Washer
- 24 L-7491 Nut



Replacement of the armature or field requires the replacement of the brush mechanism.

Hesco stocks a full line of repair parts for every Ametek/Lamb motor. If you don't see a listing for a particular motor, ask your sales representative!