

AMETEK / LAMB MOTORS

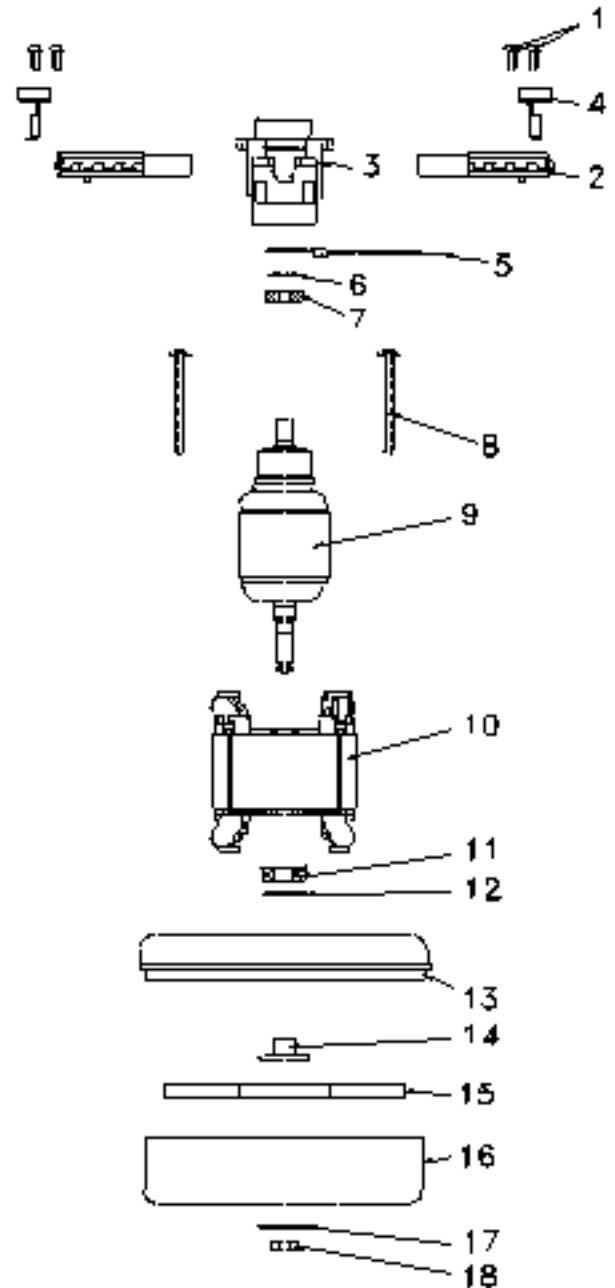
Motor Schematics

Model: 11940000

5.7" Diameter, 120 volt, 1-stage, thru-flow, ball/ball, G2K

1	L-607954	Screw
2	L-33474	Brush Mechanism
3	L-3069201	Comm End Bracket
4	L-305475	Clamp
5	L-39585	Lead and Terminal
6	L-103543	Load Spring
7	N/A	Ball Bearing
8	L-6079773	Screw
9	L-21940000	Armature
10	L-31940005	Field
11	L-7076282	Ball Bearing
12	L-102481	Neoprene Washer
13	L-44436	Fan End Bracket
14	L-202970	Spacer
15	L-31120	Rotating Fan
16	L-3037464	Fan Shell
17	L-302286	Washer
18	L-7491	Nut

Replacement of the armature or field requires the replacement of the brush mechanism.



Hesco stocks a full line of repair parts for every Ametek/Lamb motor. If you don't see a listing for a particular motor, ask your sales representative!