

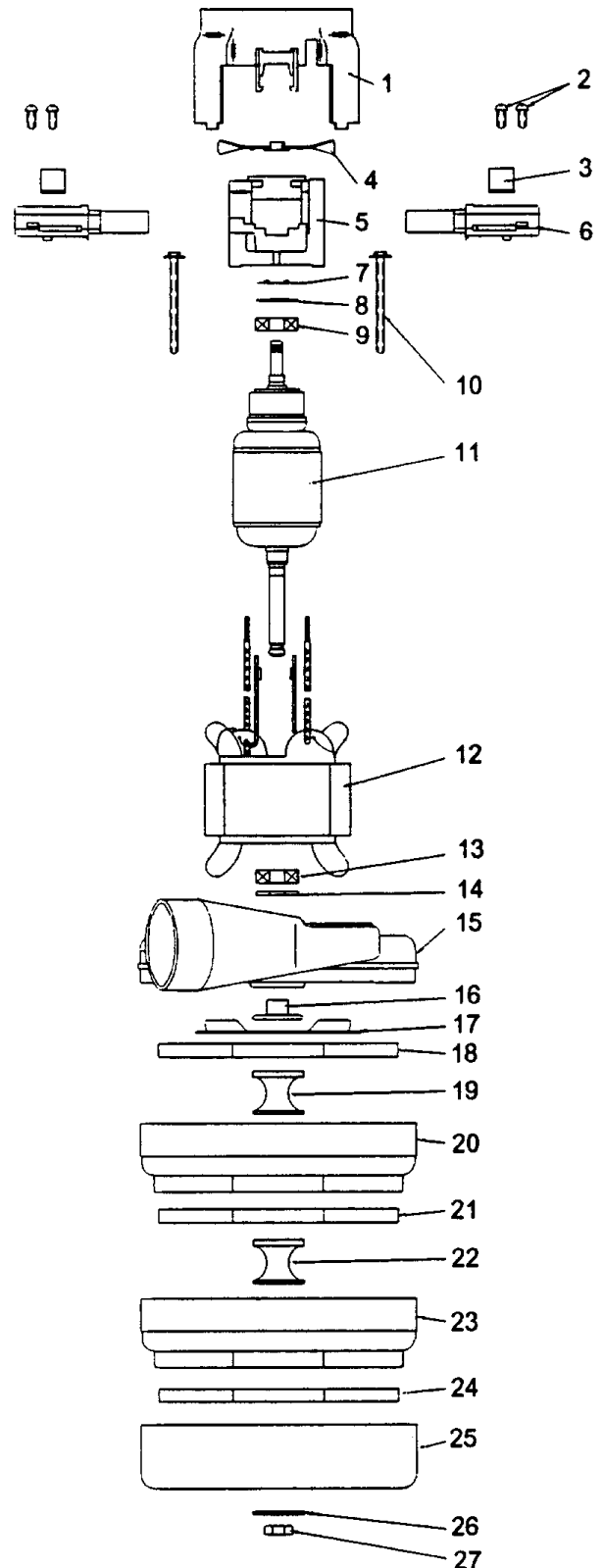
AMETEK / LAMB MOTORS

Motor Schematics

Model: 11676513

5.7" Diameter, 120 volt, 3-stage, by-pass, epoxy fan case, air seal, tangential discharge

- 1 L-6037764 Housing
- 2 L-507971 Screw
- 3 L-105477 Clamp
- 4 L-039301 Fan
- 5 L-206581 Commutator End Bracket
- 6 L-3342316 Brush Mechanism
- 7 L-103543 Load Spring
- 8 L-06355 Disc
- 9 L-7076462 Ball Bearing
- 10 L-5079957 Screw
- 11 L-21676500 Armature
- 12 L-31636600 Field
- 13 L-7076162 Ball Bearing
- 14 L-102494 Neoprene Washer
- 15 L-44442 Fan End Bracket
- 16 L-202989 Spacer
- 17 L-03939 Air Seal Fan
- 18 L-31292 Rotating Fan
- 19 L-202991 Spacer
- 20 L-3138313 Stationary Fan
- 21 L-31292 Rotating Fan
- 22 L-202991 Spacer
- 23 L-3149614 Stationary Fan
- 24 L-312753 Rotating Fan
- 25 L-60372714 Fan Shell
- 26 L-302290 Washer
- 27 L-7491 Nut



Hesco stocks a full line of repair parts for every Ametek/Lamb motor. If you don't see a listing for a particular motor, ask your sales representative!