

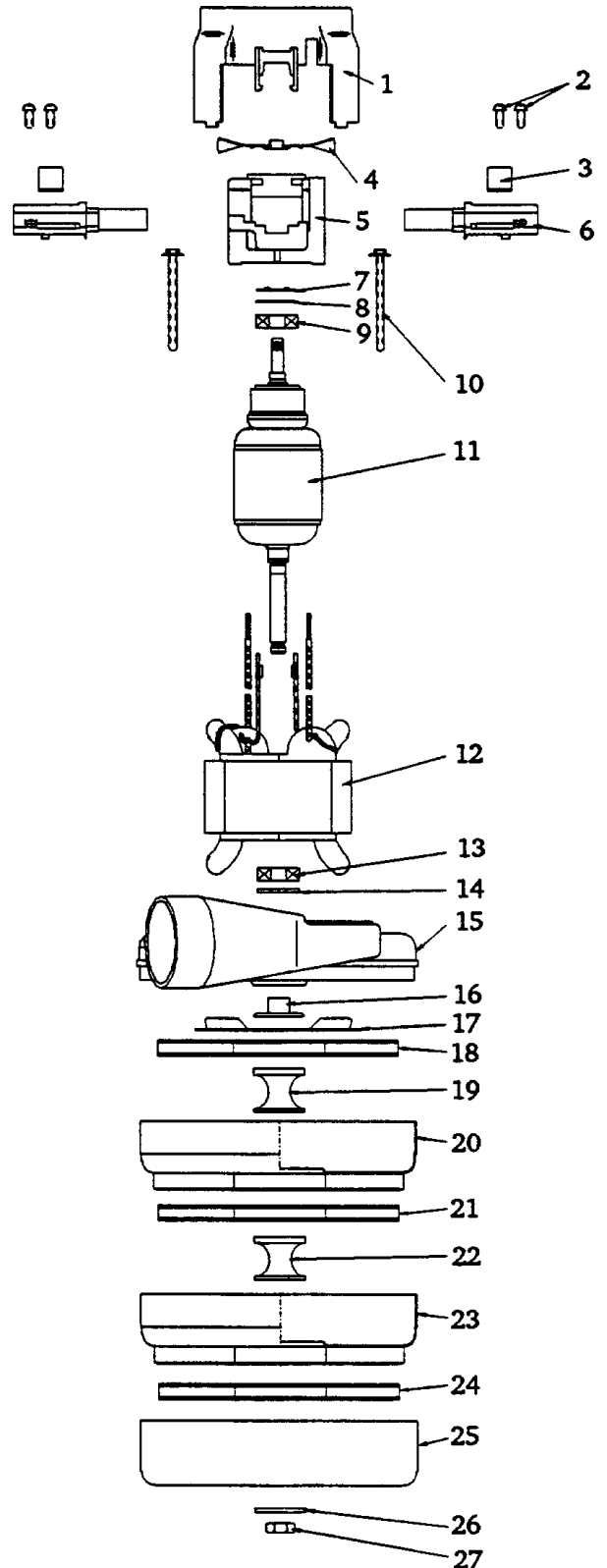
AMETEK / LAMB MOTORS

Motor Schematics

Model: 11651313

5.7" Diameter, 36 volt, 3-stage, by-pass, epoxy fan case, air seal, tangential discharge

- 1 L-4037664 Housing
- 2 L-507971 Screw
- 3 L-105477 Clamp
- 4 L-039301 Fan
- 5 L-206581 Commutator End Bracket
- 6 L-333925 Brush Mechanism
- 7 L-103543 Load Spring
- 8 L-06355 Disc
- 9 L-7076462 Ball Bearing
- 10 L-6070526 Screw
- 11 L-21651300 Armature
- 12 L-31640600 Field
- 13 L-607653 Ball Bearing
- 14 L-102481 Neoprene Washer
- 15 L-45957 Fan End Bracket
- 16 L-2029641 Spacer
- 17 L-039391 Air Seal Fan
- 18 L-31120 Rotating Fan
- 19 L-1029771 Spacer
- 20 L-31340 Stationary Fan
- 21 L-31120 Rotating Fan
- 22 L-1029771 Spacer
- 23 L-31373 Stationary Fan
- 24 L-31120 Rotating Fan
- 25 N/A Fan Shell
- 26 L-302286 Washer
- 27 L-7491 Nut



Hesco stocks a full line of repair parts for every Ametek/Lamb motor. If you don't see a listing for a particular motor, ask your sales representative!