

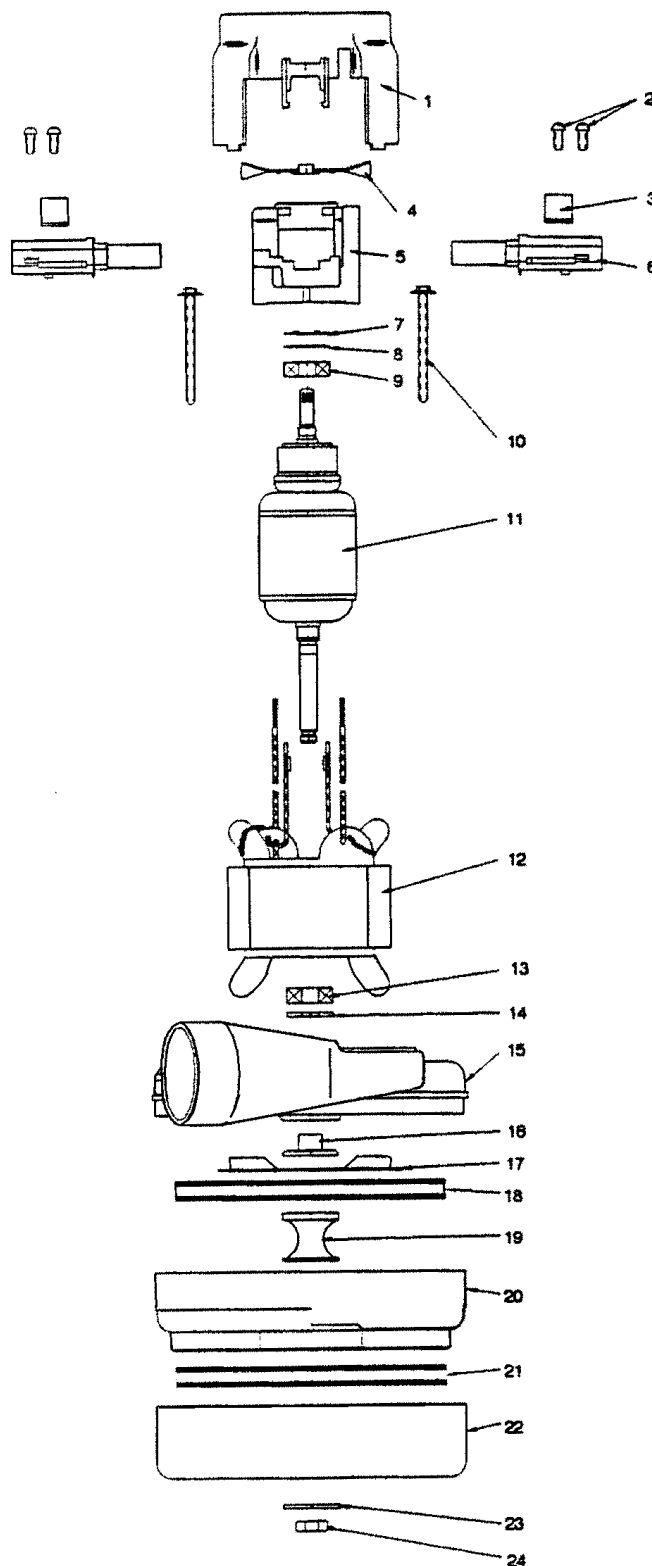
AMETEK / LAMB MOTORS

Motor Schematics

Model: 11639200

5.7" Diameter, 120 volt, 2-stage, by-pass, tangential discharge, epoxy fan case, air seal

- 1 L-4037664 Housing
- 2 L-507971 Screw
- 3 L-105477 Clamp
- 4 L-039301 Fan
- 5 L-206581 Commutator End Bracket
- 6 L-33384 Brush Mechanism
- 7 L-103543 Load Spring
- 8 L-06355 Disc
- 9 L-607653 Ball Bearing, commutator end
- 10 L-6079523 Screw
- 11 L-21625800 Armature
- 12 L-31633600 Field
- 13 L-607653 Bearing, fan end
- 14 L-102481 Neoprene Washer
- 15 L-45957 Fan End Bracket
- 16 L-302942 Spacer
- 17 L-039391 Air Seal Fan
- 18 L-31120 Rotating Fan
- 19 L-1029771 Spacer
- 20 L-31340 Stationary Fan
- 21 L-31120 Rotating Fan
- 22 L-60372714 Fan Shell
- 23 L-302255 Washer
- 24 L-7491 Armature Nut



Hesco stocks a full line of repair parts for every Ametek/Lamb motor.
If you don't see a listing for a particular motor, ask your sales representative!