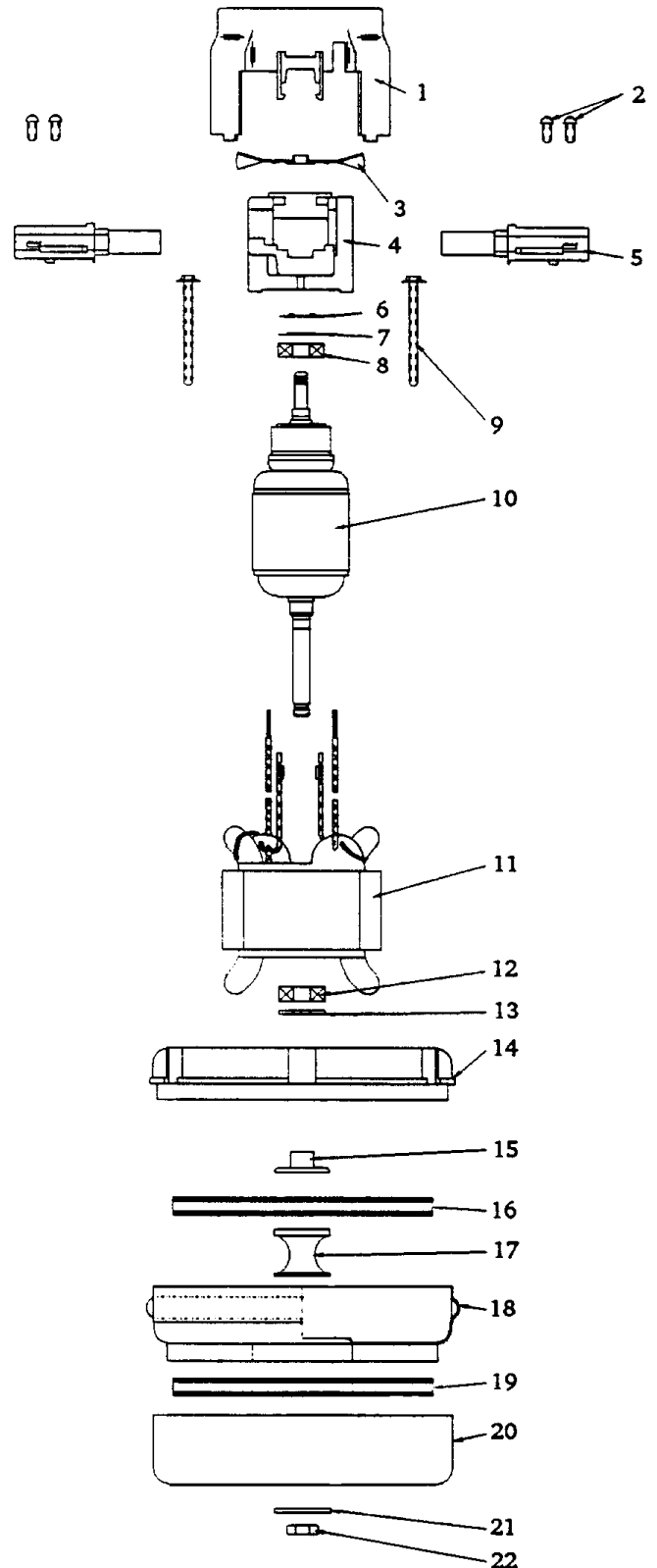


5.7" Diameter, 120 volt, 2-stage, by-pass, ball bearing, peripheral discharge

- 1 ..... L-4037664 ..... Housing
- 2 ..... L-507971 ..... Screw
- 3 ..... L-039301 ..... Fan
- 4 ..... L-206581 ..... Commutator End Bracket
- 5 ..... L-33384 ..... Brush Mechanism
- 6 ..... L-103543 ..... Load Spring
- 7 ..... L-06355 ..... Disc
- 8 ..... L-7076462 ..... Ball Bearing
- 9 ..... L-6079523 ..... Screw
- 10 ..... L-21633601 ..... Armature
- 11 ..... L-31633600 ..... Field
- 12 ..... L-607653 ..... Ball Bearing
- 13 ..... L-102481 ..... Neoprene Washer
- 14 ..... L-206882 ..... Fan End Bracket
- 15 ..... L-102976 ..... Spacer
- 16 ..... L-31120 ..... Rotating Fan
- 17 ..... L-1029771 ..... Spacer
- 18 ..... L-31253 ..... Stationary Fan
- 19 ..... L-31120 ..... Rotating Fan
- 20 ..... L-6037274 ..... Fan Shell
- 21 ..... L-302286 ..... Washer
- 22 ..... L-7491 ..... Nut



Hesco stocks a full line of repair parts for every Ametek/Lamb motor. If you don't see a listing for a particular motor, ask your sales representative!