

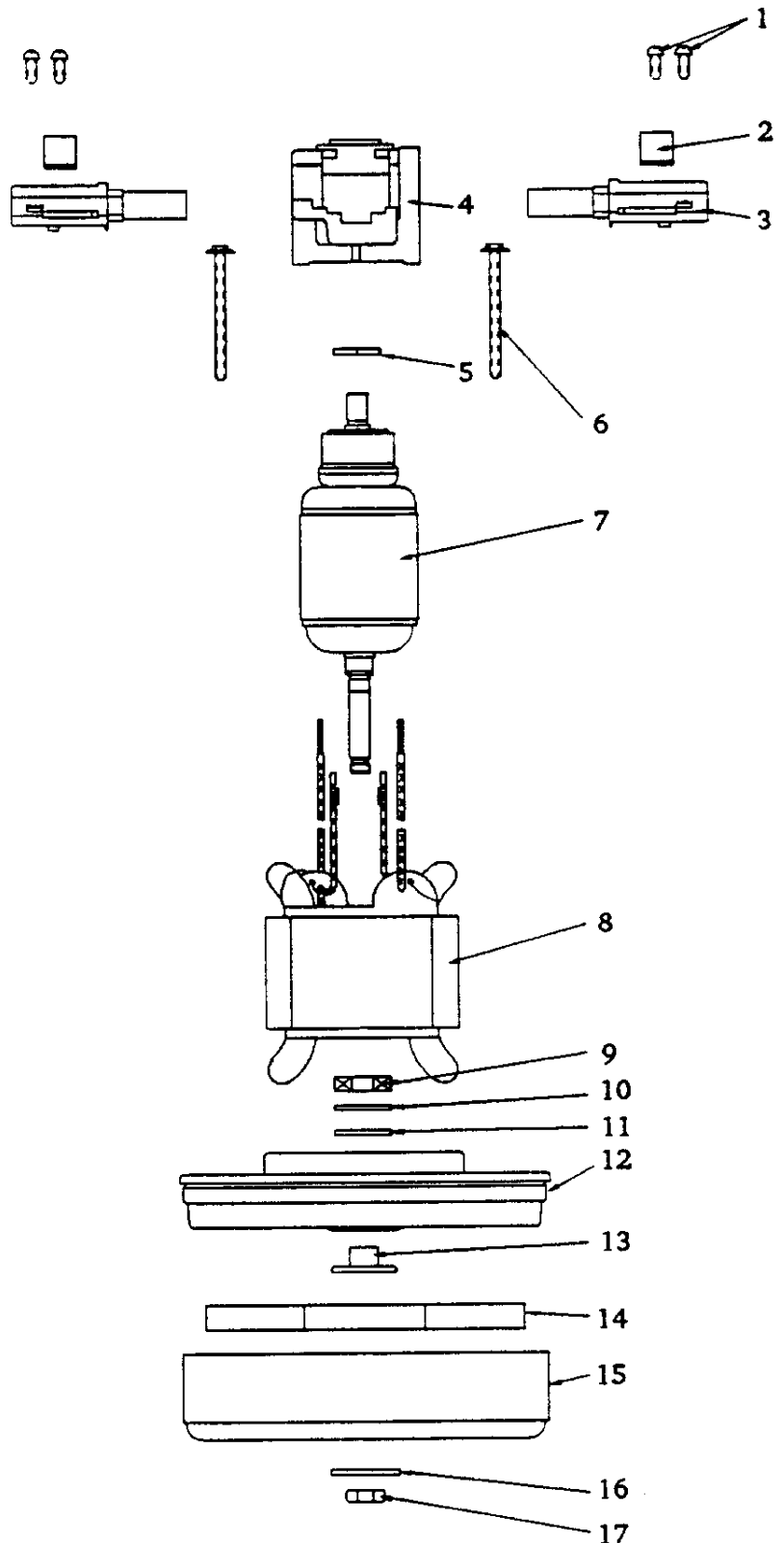
AMETEK / LAMB MOTORS

Motor Schematics

Model: 11629700

5.7" Diameter, 120 volt, 1-stage, thru-flow, ball/sleeve bearing

- 1 L-507971 Screw
- 2 L-105477 Clamp
- 3 L-334002 Brush Mechanism
- 4 L-22602 Commutator End Bracket
- 5 L-102473 Fiber Washer
- 6 L-6079525 Screw
- 7 L-21629700 Armature
- 8 L-31629700 Field
- 9 L-7076462 Bearing, fan end
- 10 L-102272 Washer
- 11 L-102333 Felt Washer
- 12 L-45969 Fan End Bracket
- 13 L-202970 Spacer
- 14 L-31337 Rotating Fan
- 15 L-403783 Fan Shell
- 16 L-202235 Washer
- 17 L-7491 Nut



Hesco stocks a full line of repair parts for every Ametek/Lamb motor.
If you don't see a listing for a particular motor, ask your sales representative!