

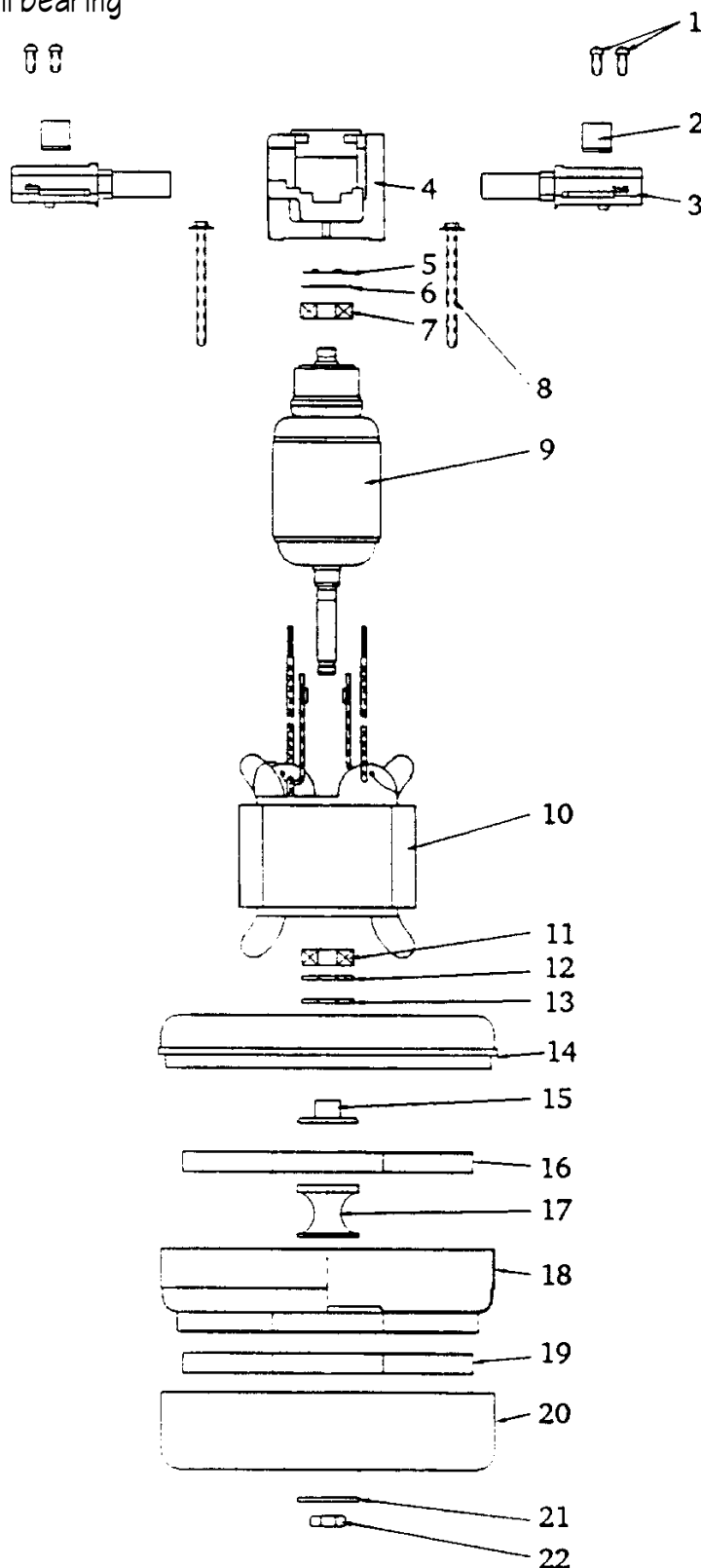
AMETEK / LAMB MOTORS

Motor Schematics

Model: 11622700

5.7" Diameter, 120 volt, 2-stage, thru-flow, ball bearing

- 1 L-507971 Screw
- 2 L-105477 Clamp
- 3 L-33384 Brush Mechanism
- 4 L-206770 Commutator End Bracket
- 5 L-06355 Disc
- 6 L-103543 Load Spring
- 7 L-7076462 Ball Bearing
- 8 L-5079956 Screw
- 9 L-215733 Armature
- 10 L-31622700 Field
- 11 L-7076462 Bearing, fan end
- 12 L-102272 Washer
- 13 L-102324 Felt Washer
- 14 L-45828 Fan End Bracket
- 15 L-102976 Spacer
- 16 L-31120 Rotating Fan
- 17 L-1029771 Spacer
- 18 L-31231 Stationary Fan
- 19 L-31120 Rotating Fan
- 20 L-6037274 Shell
- 21 L-202235 Washer
- 22 L-7491 Nut



Hesco stocks a full line of repair parts for every Ametek/Lamb motor. If you don't see a listing for a particular motor, ask your sales representative!