

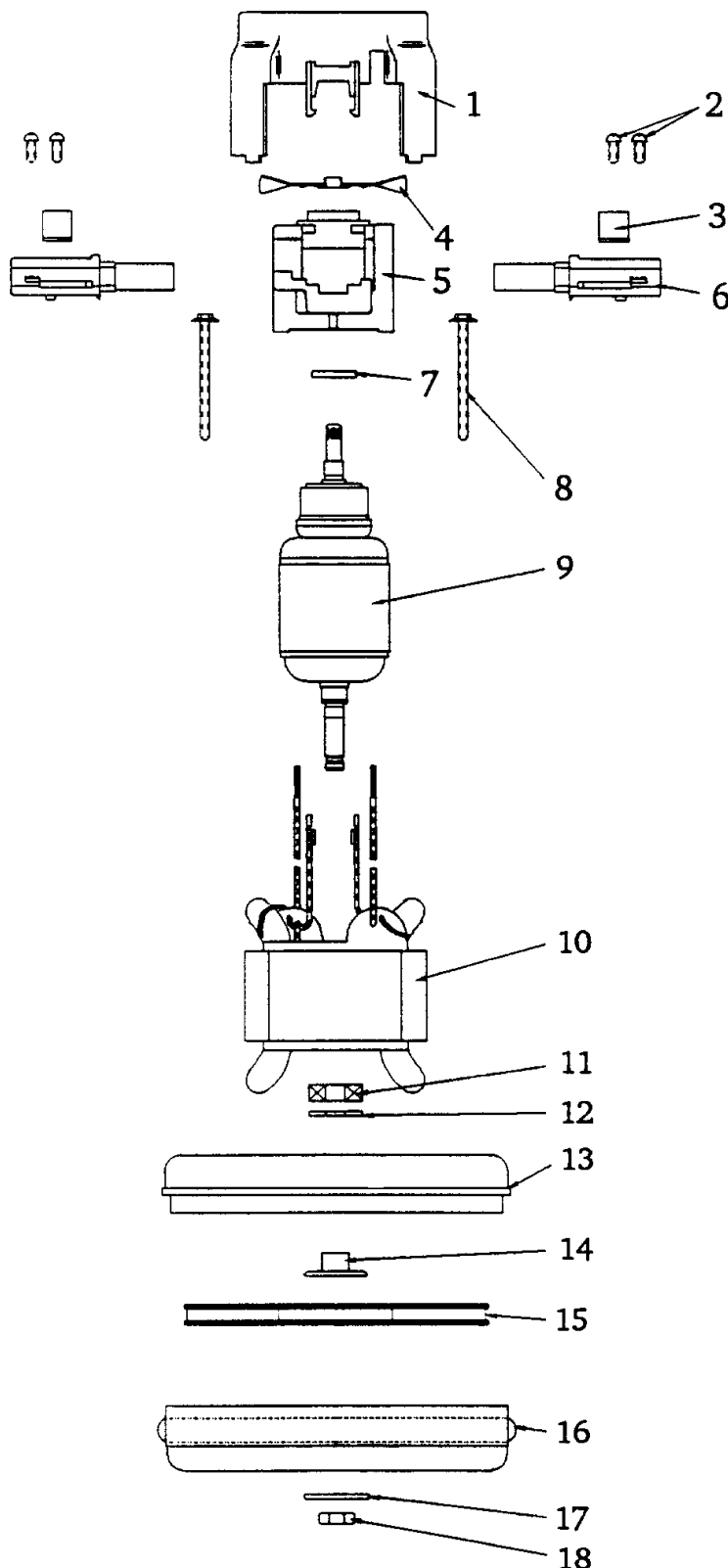
AMETEK / LAMB MOTORS

Motor Schematics

Model: 11619600

5.7" Diameter, 120 volt, 1-stage, by-pass, ball/sleeve, peripheral discharge

- 1 L-6037764 Housing
- 2 L-507971 Screw
- 3 L-105477 Clamp
- 4 L-039301 Fan
- 5 L-22659 Commutator End Bracket
- 6 L-33384 Brush Mechanism
- 7 L-102473 Fiber Washer
- 8 L-6079521 Screw
- 9 L-21613200 Armature
- 10 L-315512 Field
- 11 L-607693 Ball Bearing
- 12 L-102481 Neoprene Washer
- 13 L-206882 Fan End Bracket
- 14 L-102976 Spacer
- 15 L-313241 Rotating Fan
- 16 L-4037724 Fan Shell
- 17 L-3022861 Washer
- 18 L-7491 Nut



Hesco stocks a full line of repair parts for every Ametek/Lamb motor.
If you don't see a listing for a particular motor, ask your sales representative!