

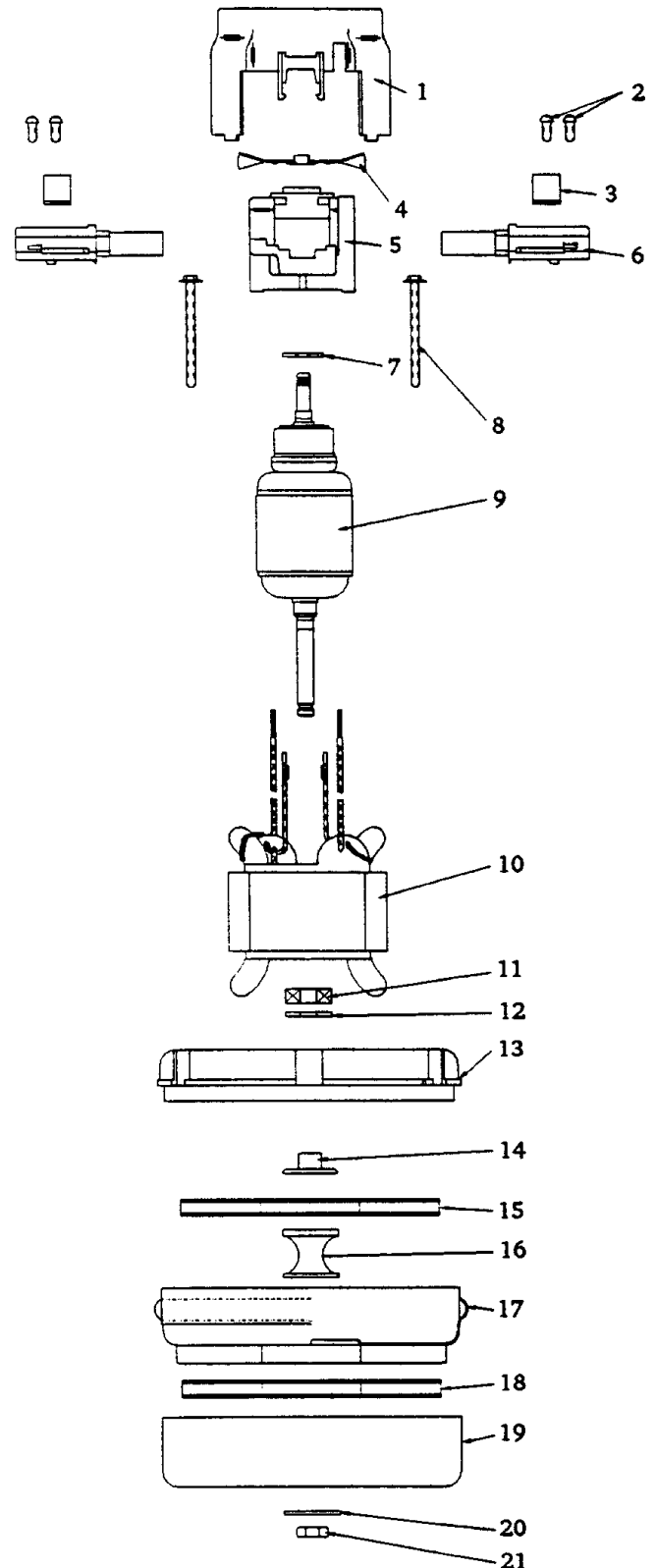
# AMETEK / LAMB MOTORS

## Motor Schematics

Model: 11612500

5.7" Diameter, 240 volt, 2-stage, by-pass, ball/sleeve bearing, peripheral discharge

- 1 ..... L-6037764 ..... Housing
- 2 ..... L-507971 ..... Screw
- 3 ..... L-105477 ..... Clamp
- 4 ..... L-039301 ..... Fan
- 5 ..... L-22659 ..... Commutator End Bracket
- 6 ..... L-33378 ..... Brush Mechanism
- 7 ..... L-102473 ..... Fiber Washer
- 8 ..... L-6079523 ..... Screw
- 9 ..... L-21612500 ..... Armature
- 10 ..... L-315625 ..... Field
- 11 ..... L-607653 ..... Bearing, fan end
- 12 ..... L-102481 ..... Neoprene Washer
- 13 ..... L-206882 ..... Fan End Bracket
- 14 ..... L-102976 ..... Spacer
- 15 ..... L-31120 ..... Rotating Fan
- 16 ..... L-102977 ..... Spacer
- 17 ..... L-31293 ..... Stationary Fan
- 18 ..... L-31275 ..... Rotating Fan
- 19 ..... L-3037442 ..... Shell
- 20 ..... L-302286 ..... Washer
- 21 ..... L-7491 ..... Nut



Hesco stocks a full line of repair parts for every Ametek/Lamb motor. If you don't see a listing for a particular motor, ask your sales representative!