

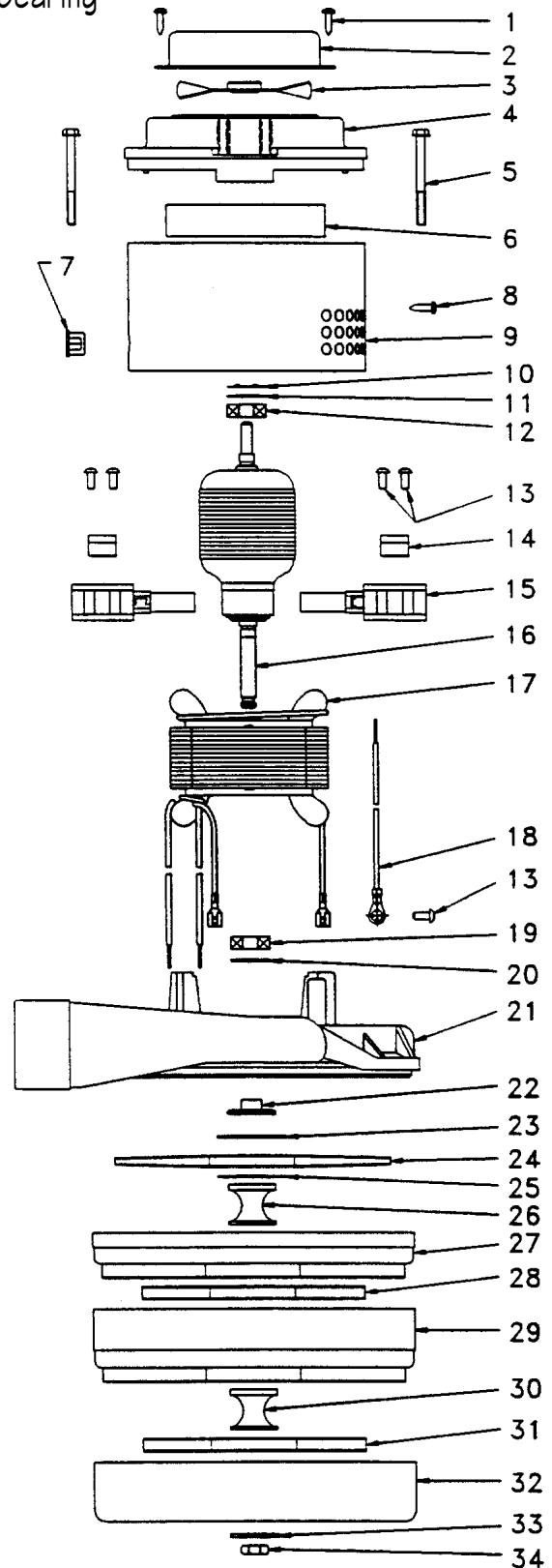
# AMETEK / LAMB MOTORS

## Motor Schematics

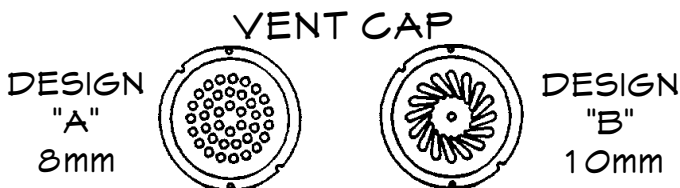
Model: 11611900

7.2" Diameter, 120 volt, 3-stage, tangential discharge, ball bearing

- 1 ..... L-607992 ..... Screw
- 2 ..... L-403773 ..... Cover, vent cap, for 8mm design
- 2 ..... L-703713 ..... Cover, vent cap, for 10mm design
- 3 ..... L-31325 ..... Fan
- 4 ..... L-106850 ..... Bracket
- 5 ..... L-707966 ..... Screw
- 6 ..... L-304409 ..... Air Vent Ring
- 7 ..... L-105480 ..... Grommet
- 8 ..... L-607992 ..... Screw
- 9 ..... N/A ..... Band
- 10 ..... L-103543 ..... Load Spring
- 11 ..... L-06355 ..... Disc
- 12 ..... L-7076462 ..... Ball Bearing
- 13 ..... L-507971 ..... Screw
- 14 ..... L-05490 ..... Clamp
- 15 ..... L-334154 ..... Brush Mechanism
- 16 ..... L-21610300 ..... Armature, 8mm design
- 16 ..... L-21610301 ..... Armature, 10mm design
- 17 ..... L-31610300 ..... Field
- 18 ..... L-39262 ..... Lead & Terminal
- 19 ..... L-607653 ..... Bearing, 8mm design
- 19 ..... L-7076152 ..... Bearing, 10mm design
- 20 ..... L-102481 ..... Neoprene Washer, 8mm design
- 20 ..... L-102494 ..... Neoprene Washer
- 21 ..... L-2067742 ..... Fan End Bracket, 8mm design
- 21 ..... L-2067746 ..... Fan End Bracket, 10mm design
- 22 ..... N/A ..... Spacer, 8mm design
- 22 ..... L-202999 ..... Spacer, 10mm design
- 23 ..... L-302255 ..... Washer, 8mm design
- 23 ..... L-3022551 ..... Washer, 10mm design
- 24 ..... L-31213 ..... Rotating Fan, 8mm design
- 24 ..... L-312131 ..... Rotating Fan, 10mm design
- 25 ..... L-202268 ..... Washer, 8mm design
- 25 ..... L-2022681 ..... Washer, 10mm design
- 26 ..... L-1029771 ..... Spacer, 8mm design
- 26 ..... L-202991 ..... Spacer, 10mm design
- 27 ..... L-31501 ..... Stationary Fan
- 28 ..... L-31120 ..... Rotating Fan, 8mm design
- 28 ..... L-31292 ..... Rotating Fan, 10mm design
- 29 ..... L-31502 ..... Stationary Fan
- 30 ..... L-1029771 ..... Spacer, 8mm design
- 30 ..... L-202991 ..... Spacer, 10mm design
- 31 ..... L-31120 ..... Rotating Fan, 8mm design
- 31 ..... L-31292 ..... Rotating Fan, 10mm design
- 32 ..... L-204429 ..... Fan Shell, 8mm design
- 32 ..... L-204429 ..... Fan Shell, 10mm design
- 33 ..... L-202235 ..... Washer, 8mm design
- 33 ..... L-302288 ..... Washer, 10mm design
- 34 ..... L-7491 ..... Nut



A design change from an 8mm to a 10mm armature shaft and fan end bearing system was made effective 4/1/92. Motors with vent cap "A" reflect the 8mm design, and vent cap "B" reflects the 10mm design.



Hesco stocks a full line of repair parts for every Ametek/Lamb motor. If you don't see a listing for a particular motor, ask your sales representative!