

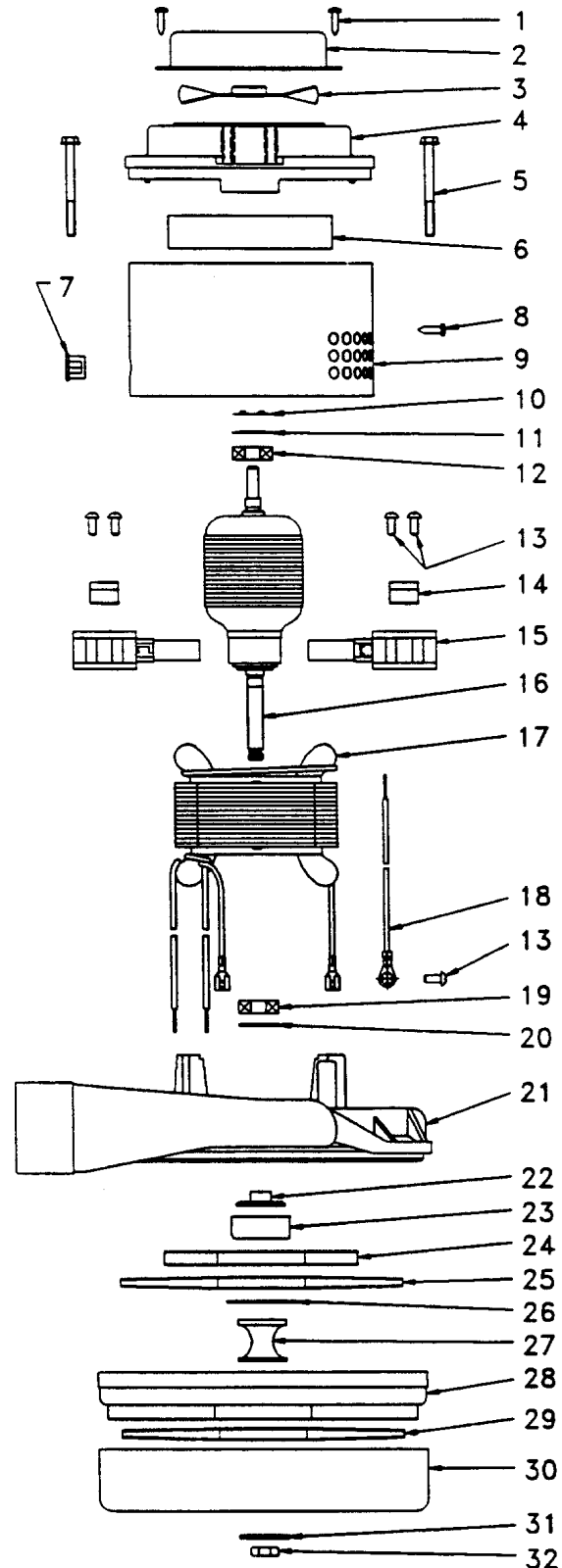
AMETEK / LAMB MOTORS

Motor Schematics

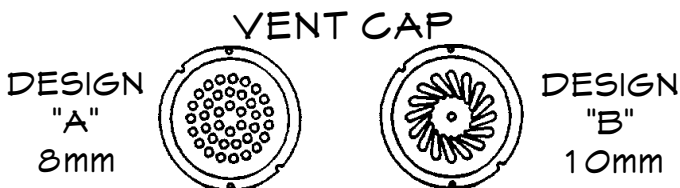
Model: 11610300

7.2" Diameter, 120 volt, 3-stage, tangential discharge, ball bearing, epoxy

- 1 L-607992 Screw
- 2 L-403773 Cover, vent cap, for 8mm design
- 2 L-703713 Cover, vent cap, for 10mm design
- 3 L-31325 Fan
- 4 L-106850 Bracket
- 5 L-707966 Screw
- 6 L-304409 Air Vent Ring
- 7 L-105480 Grommet
- 8 L-607992 Screw
- 9 N/A Band
- 10 L-103543 Load Spring
- 11 L-06355 Disc
- 12 L-7076462 Ball Bearing
- 13 L-507971 Screw
- 14 L-05490 Clamp
- 15 L-334154 Brush Mechanism
- 16 L-21610300 Armature, 8mm design
- 16 L-21610301 Armature, 10mm design
- 17 L-31610300 Field
- 18 L-39262 Lead & Terminal
- 19 L-607653 Bearing, 8mm design
- 19 L-7076162 Bearing, 10mm design
- 20 L-102481 Neoprene Washer, 8mm design
- 20 L-102494 Neoprene Washer
- 21 N/A Fan End Bracket, 8mm design
- 21 L-459311 Fan End Bracket, 10mm design
- 22 N/A Spacer, 8mm design
- 22 L-202999 Spacer, 10mm design
- 23 L-304340 Slinger, 8mm design
- 23 L-5041721 Slinger, 10mm design
- 24 L-31282 Rotating Fan, 8mm design
- 24 L-312823 Rotating Fan, 10mm design
- 25 L-31213 Rotating Fan, 8mm design
- 25 L-312131 Rotating Fan, 10mm design
- 26 L-202268 Washer, 8mm design
- 26 L-2022681 Washer, 10mm design
- 27 L-1029771 Spacer, 8mm design
- 27 L-202991 Spacer, 10mm design
- 28 L-3150110 Stationary Fan
- 29 L-31120 Rotating Fan, 8mm design
- 29 L-31292 Rotating Fan, 10mm design
- L-3150210 Rotating Fan
- L-1029771 Spacer, 8mm design
- L-202991 Spacer
- L-31120 Rotating Fan, 8mm design
- L-31292 Rotating Fan, 10mm design
- 30 L-304068 Fan Shell
- 31 L-202235 Washer, 8mm design
- 31 L-302288 Washer, 10mm design
- 32 L-7491 Nut



A design change from an 8mm to a 10mm armature shaft and fan end bearing system was made effective 4/1/92. Motors with vent cap "A" reflect the 8mm design, and vent cap "B" reflects the 10mm design.



Hesco stocks a full line of repair parts for every Ametek/Lamb motor. If you don't see a listing for a particular motor, ask your sales representative!