

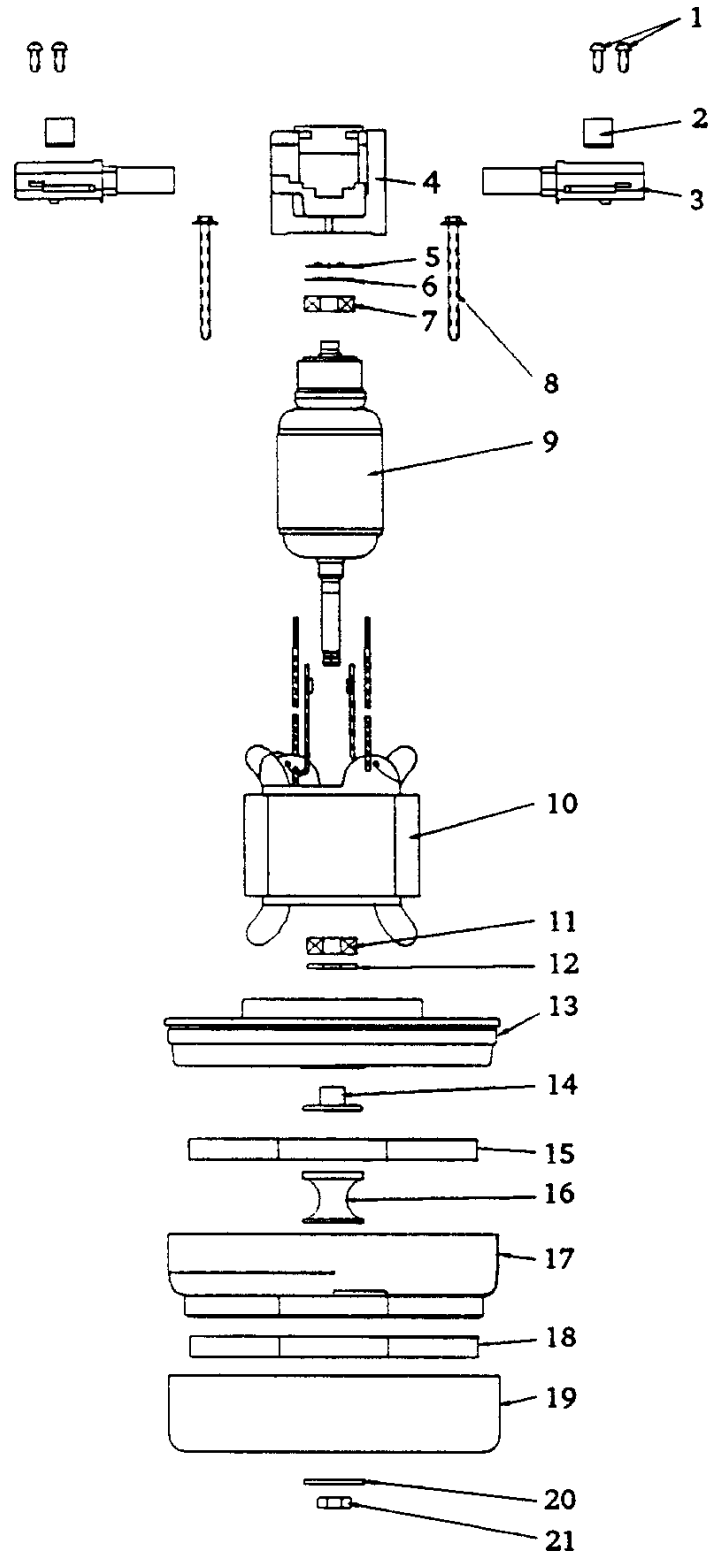
AMETEK / LAMB MOTORS

Motor Schematics

Model: 115923

5.7" Diameter, 120 volt, 2-stage, thru-flow, ball bearing

- 1 L-507971 Screw
- 2 L-105477 Clamp
- 3 L-3339211 Brush Mechanism
- 4 L-206581 Commutator End Bracket
- 5 L-103543 Load Spring
- 6 L-06355 Disc
- 7 L-7076462 Bearing, commutator end
- 8 N/A Screw
- 9 NLA Armature
- 10 L-315923 Field
- 11 L-707605 Bearing, fan end
- 12 L-102481 Neoprene Washer
- 13 L-458562 Fan End Bracket
- 14 L-102976 Spacer
- 15 L-313301 Rotating Fan
- 16 N/A Spacer
- 17 L-31331 Stationary Fan
- 18 L-313301 Rotating Fan
- 19 L-403779 Shell
- 20 L-202235 Washer
- 21 L-7491 Nut



Hesco stocks a full line of repair parts for every Ametek/Lamb motor. If you don't see a listing for a particular motor, ask your sales representative!