

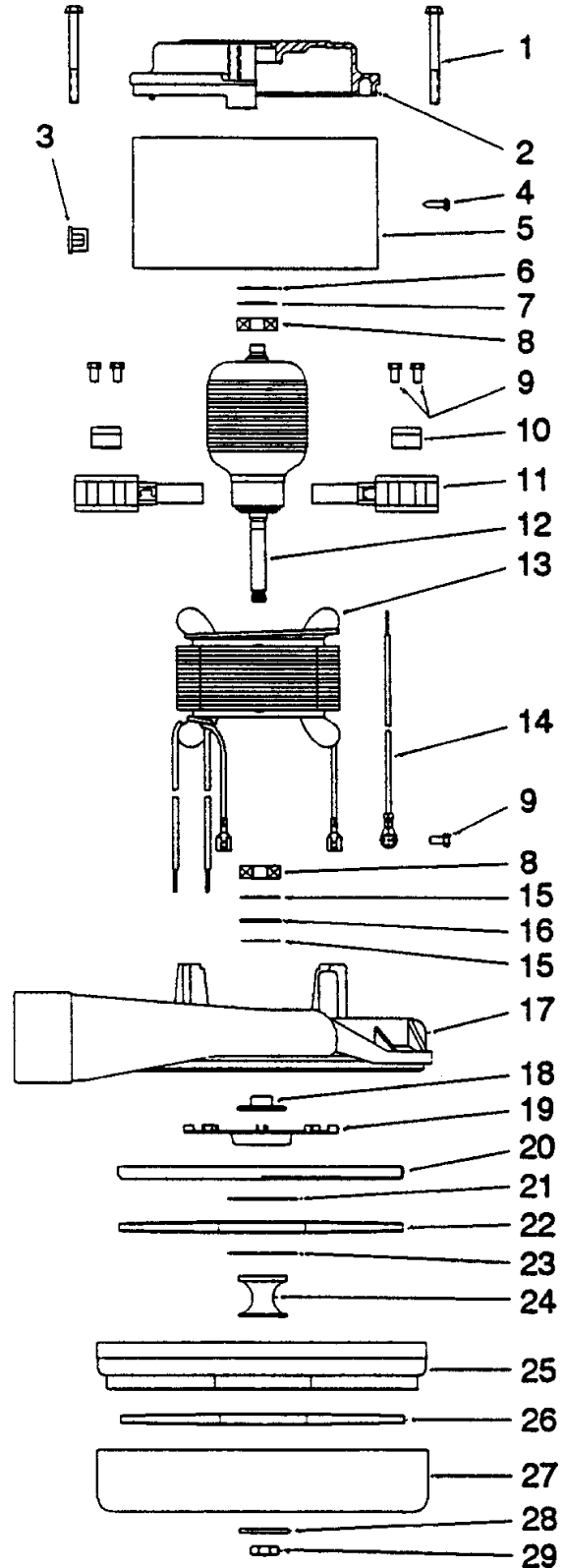
# AMETEK / LAMB MOTORS

## Motor Schematics

Model: 115334

7.2" Diameter, 120 volt, 2-stage, by-pass, tangential discharge

- 1 ..... N/A ..... Screw
- 2 ..... L-106580 ..... Bracket
- 3 ..... L-105480 ..... Grommet
- 4 ..... L-607992 ..... Screw
- 5 ..... L-6127 ..... Band
- 6 ..... L-103543 ..... Load Spring
- 7 ..... L-06355 ..... Disc
- 8 ..... L-7076462 ..... Ball Bearing
- 9 ..... N/A ..... Screw
- 10 ..... L-05490 ..... Clamp
- 11 ..... L-334154 ..... Brush Mechanism
- 12 ..... L-215330 ..... Armature
- 13 ..... L-315334 ..... Field
- 14 ..... L-39262 ..... Lead & Terminal
- 15 ..... L-102272 ..... Washer
- 16 ..... L-102324 ..... Felt Washer
- 17 ..... L-106961 ..... Fan End Bracket
- 18 ..... L-1029771 ..... Spacer
- 19 ..... L-3996 ..... Vent Fan
- 20 ..... L-4037701 ..... Shell
- 21 ..... L-202268 ..... Washer
- 22 ..... L-31213 ..... Rotating Fan
- 23 ..... L-202268 ..... Washer
- 24 ..... L-102976 ..... Spacer
- 25 ..... L-31501 ..... Stationary Fan
- 26 ..... L-31213 ..... Rotating Fan
- 27 ..... L-204429 ..... Fan Shell
- 28 ..... L-202235 ..... Washer
- 29 ..... L-7491 ..... Nut



Hesco stocks a full line of repair parts for every Ametek/Lamb motor. If you don't see a listing for a particular motor, ask your sales representative!