

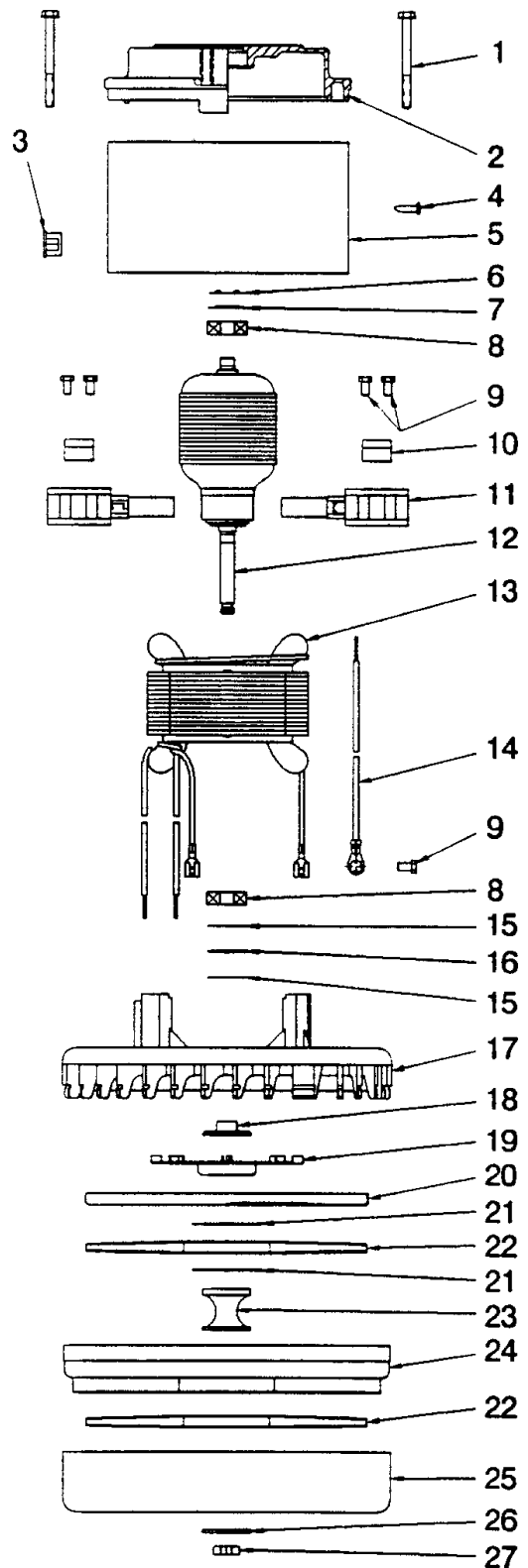
AMETEK / LAMB MOTORS

Motor Schematics

Model: 115330

7.2" Diameter, 120 volt, 2-stage, by-pass, peripheral discharge

- 1 N/A Screw
- 2 L-106580 Bracket
- 3 L-105480 Grommet
- 4 L-607992 Screw
- 5 L-6127 Band
- 6 L-103543 Load Spring
- 7 L-06355 Disc
- 8 L-7076462 Ball Bearing
- 9 N/A Screw
- 10 L-05490 Clamp
- 11 L-334154 Brush Mechanism
- 12 L-215330 Armature
- 13 L-31610300 Field
- 14 L-39262 Lead & Terminal
- 15 L-102272 Washer
- 16 L-102324 Felt Washer
- 17 L-106963 Bracket
- 18 L-102976 Spacer
- 19 L-3996 Vent Fan
- 20 L-4037701 Shell
- 21 L-202268 Washer
- 22 L-31213 Rotating Fan
- 23 L-1029771 Spacer
- 24 L-31501 Stationary Fan
- 25 L-204429 Fan Shell
- 26 L-202235 Washer
- 27 L-7491 Nut



Hesco stocks a full line of repair parts for every Ametek/Lamb motor. If you don't see a listing for a particular motor, ask your sales representative!