

# AMETEK / LAMB MOTORS

## Motor Schematics

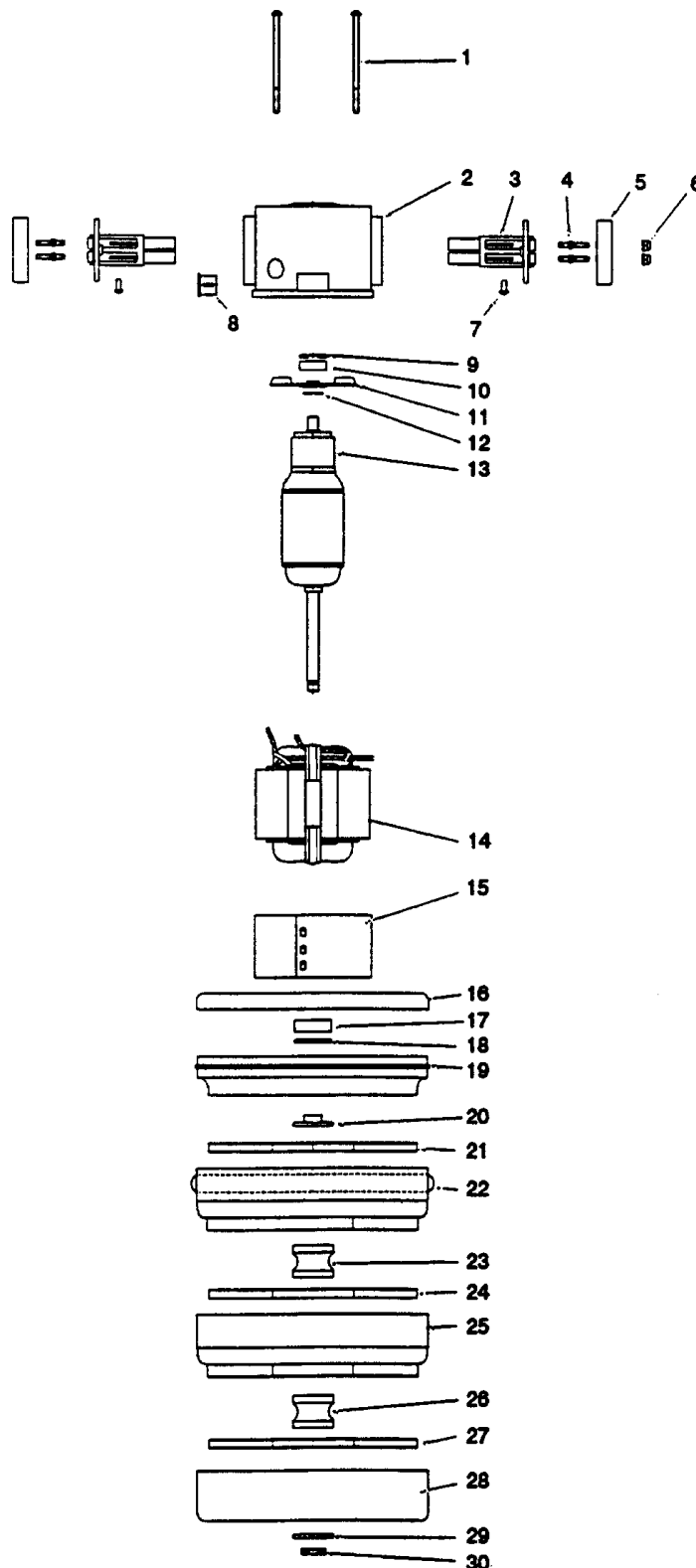
Model: 114787

7.5 Diameter, 120 volt, 3-stage, by-pass, peripheral discharge, ball bearing

- 1 ..... L-307934 ..... Screw
- 2 ..... L-106725 ..... Commutator End Bracket
- 3 ..... L-35253 ..... Brush Mechanism
- 4 ..... L-307876 ..... Stud
- 5 ..... L-34030 ..... Brush Holder Cap
- 6 ..... L-07451 ..... Acorn Nut
- 7 ..... L-7820 ..... Screw
- 8 ..... L-105480 ..... Snap Bushing
- 9 ..... L-103543 ..... Load Spring
- 14 ..... L-314786 ..... Field
- 15 ..... L-6118 ..... Band
- 16 ..... L-203735 ..... Cover
- 18 ..... L-102491 ..... Neoprene Washer
- 19 ..... L-106727 ..... Fan End Bracket
- 20 ..... L-202907 ..... Spacer
- 21 ..... L-31281 ..... Rotating Fan
- 22 ..... L-31175 ..... Stationary Fan
- 23 ..... L-102939 ..... Spacer
- 24 ..... L-31281 ..... Rotating Fan
- 25 ..... L-31173 ..... Stationary Fan
- 26 ..... L-102939 ..... Spacer
- 27 ..... L-31281 ..... Rotating Fan
- 28 ..... L-203734 ..... Fan Shell
- 29 ..... L-102259 ..... Washer
- 30 ..... L-07462 ..... Nut

The following parts are purchased by kit # L-824787 only

- 10 ..... L-607653 ..... Ball Bearing
- 11 ..... L-03932 ..... Fan
- 12 ..... L-302277 ..... Washer
- 13 ..... NLA ..... Armature
- 17 ..... L-607642 ..... Ball Bearing



Hesco stocks a full line of repair parts for every Ametek/Lamb motor. If you don't see a listing for a particular motor, ask your sales representative!